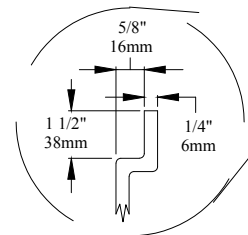
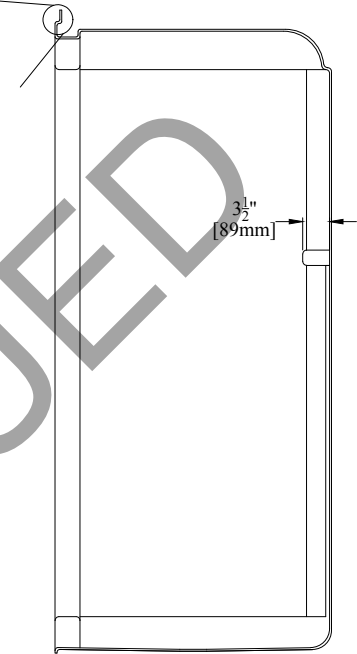


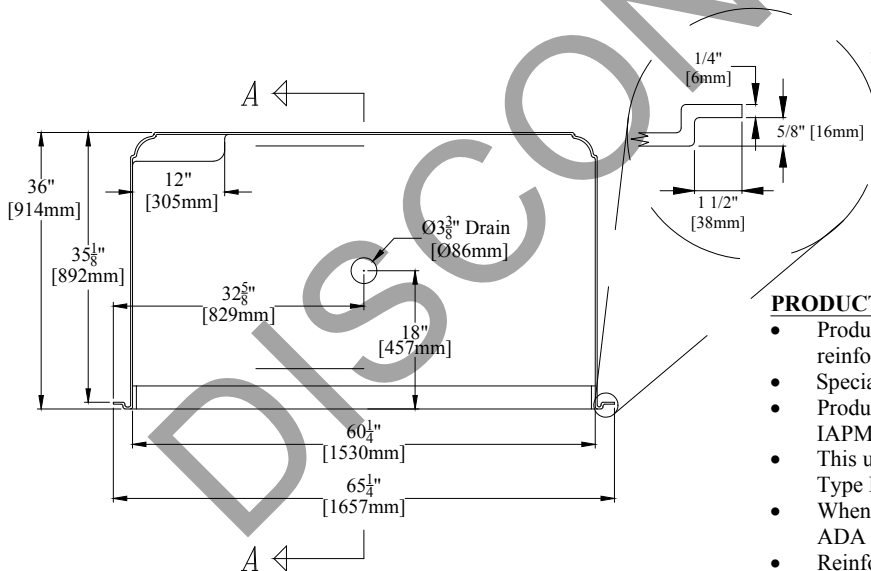
**ELEVATION**



Close-up view of the nailing flanges on Clarion Bathware acrylic models



**SECTION "A-A"**



**PLAN**

60" (overall width 65-1/4") Acrylic Barrier-Free Shower w/ 3/4" [19mm] Threshold, & Molded Soap Ledge

*CENTER DRAIN*

Close-up view of the nailing flanges on Clarion Bathware acrylic models

**Framing Pocket Dimensions:**

- W-63" [1600mm]
- D-36" [914mm]
- H-82 3/4" [2102mm]

**PRODUCT SPECIFICATIONS:**

- Product material - Premium Cast Acrylic with fiberglass composite reinforcement.
- Special installation instructions for this unit must be followed carefully.
- Product complies with NAHB, HUD UM-73A, and CSA B45.5-17/ IAPMO Z124-2017.
- This unit can be reinforced to meet the accessibility requirements for Type B dwellings upon request.
- When properly accessorized and installed, product meets requirements of ADA (2010 Std), ICC/ANSI A117.1-2017, ABA or UFAS.
- Reinforced & slip resistant floor.
- Integral 1" [25mm] nailing flange.
- Integral 1" [25mm] floor nailing flange.
- Molded soap ledge.
- Shower Floor: W-60" [1524mm] x D-35 1/2" [902mm]
- All dimensions +/- 1/2" [12.8mm]
- Clarion Bathware reserves the right to change design and/or dimensions.

**ANL6436BF34 or ANR6436BF34**

**60" (overall width 65-1/4") Acrylic Barrier-Free Shower w/ 3/4" [19mm] Threshold, Molded Soap Ledge, Molded Dome, & Center Drain**

**Clarion**  
BATHWARE  
44 Amsler Ave.  
Shipperville, PA 16254

Phone: (814) 226-5374  
Toll Free: (800) 576-9228  
Fax: (814) 226-0730  
www.clarionbathware.com

Signatures For Approval:

Customer: \_\_\_\_\_ Date: \_\_\_\_\_  
Arch./Engr: \_\_\_\_\_

Quote #: \_\_\_\_\_  
Job Name: \_\_\_\_\_

Dwg. #  
ANL or  
ANR6436BF34-CUT

Dwg. By: NMH  
DATE: 1/09/2018

**\*\*\* IMPORTANT NOTICE \*\*\***

Clarion Bathware reserves the right to change the design and/or dimensions of its products at any time. This drawing may have been updated since this publication was issued. Before placing an order for any product, refer to our website at [www.clarionbathware.com](http://www.clarionbathware.com) to obtain the most current drawings for any products that you wish to purchase. Compare the date of revision of the drawing that you have with the one on the drawing on our website. If you do not have internet access, please call your sales representative or Clarion Bathware's sales department at 1-800-576-9228.